

# Point of use regulator HP 402

- furniture wall version



## Description:

The HP 402 is a point of use regulator for laboratory furnitures. The regulator is fitted with a small wall console in front of and a screw behind the wall. The HP 402 is for reducing line pressure to working pressure as a second stage.

As a standard configuration the point of use regulator will be supplied with shut off valve and gauge for working pressure, the console and the screwing for fixing. Options are specific inlet- and outlet connections or a metering valve fitted to the outlet of HP 402.

## Application area:

Especially for gases with high requirements on purity to 6.0. Our special cleaning system for the HP Series also guarantees the use for ECD applications.

## Technical details:

Body:	stainless steel 1.4404 electropolished or brass, nickel and matt chrome plated
seat:	PCTFE
Diaphragm:	1.4435
Leakage rate: against atmosphere	$10^{-8}$ mbar l/s He
Gas purity:	≤ 6.0
Max. Inlet pressure:	40 bar
Outlet pressure range:	0,5-3; 1-6 1-10 bar
Operating temp.:	-20°C to +70°C
Gauge:	safety version to EN 837-1 KL1,6
Dimensions (wxhxd):	85 x 135 x 125
Weight:	1700g

## Hornung Quality standard

The company Hornung is certified to

**DIN EN ISO 9001 and ISO 14001:2009.**

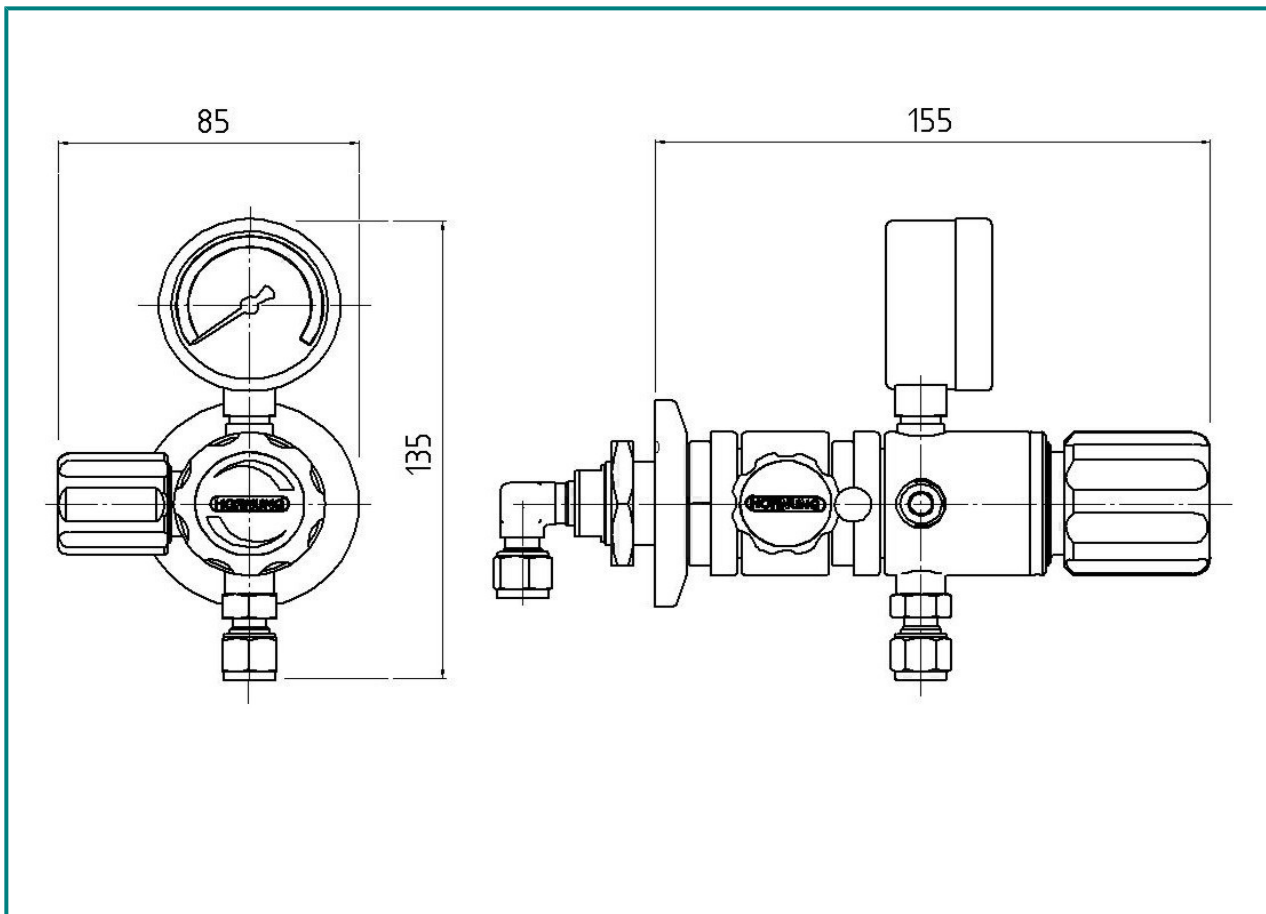
All single parts are manufactured, assembled and tested by in-house production.

The finished parts are therefore under all criteria of German quality control with 100% final inspection.

Hornung GmbH  
Rathenaustraße 55, 63263 Neu-Isenburg

Phone: +49 6102 7883-70  
Fax: +49 6102 7883-40

www.hornung.org  
info@hornung.org



**Accessories:**

See total catalogue segment

- 5. Diaphragm shut-off and metering valves
- 7. Gauges, Screws, compression fittings  
Cylinder holders and accessories

**Ordering information:**

**Material:**

- HP402** = stainless steel
- HP402MS** = brass, nickel and chrome plated

**Outlet pressure ranges:**

- 01** = 0,5 - 3 bar
- 02** = 1 - 6 bar
- 03** = 1 - 10 bar

**Options for the outlet:**

- 00** = G1/4" – internal thread
- 01** = compression fitting 6 mm
- 02** = compression fitting 8 mm

<b>HP402-</b>	<b>02</b>	<b>00</b>	<b>Gas</b>
Type	Pressure	Option	Gas type